

Technical data sheet

Product features



Cooking range electric on open cabinet

Model	SAP Code	00014768
--------------	-----------------	----------



- Device type: Electric unit
- Power consumption of the zone 1 [kW]: 2,6
- Power consumption of the zone 2 [kW]: 2,6
- Protection of controls: IP24
- Material: AISI 304 top plate and cladding

SAP Code	00014768	Power electric [kW]	5.200
Net Width [mm]	400	Loading	400 V / 3N - 50 Hz
Net Depth [mm]	730	Number of zones	2
Net Height [mm]	900	Power consumption of the zone 1 [kW]	2,6
Net Weight [kg]	34.80	Power consumption of the zone 2 [kW]	2,6

Technical data sheet

Technical drawing

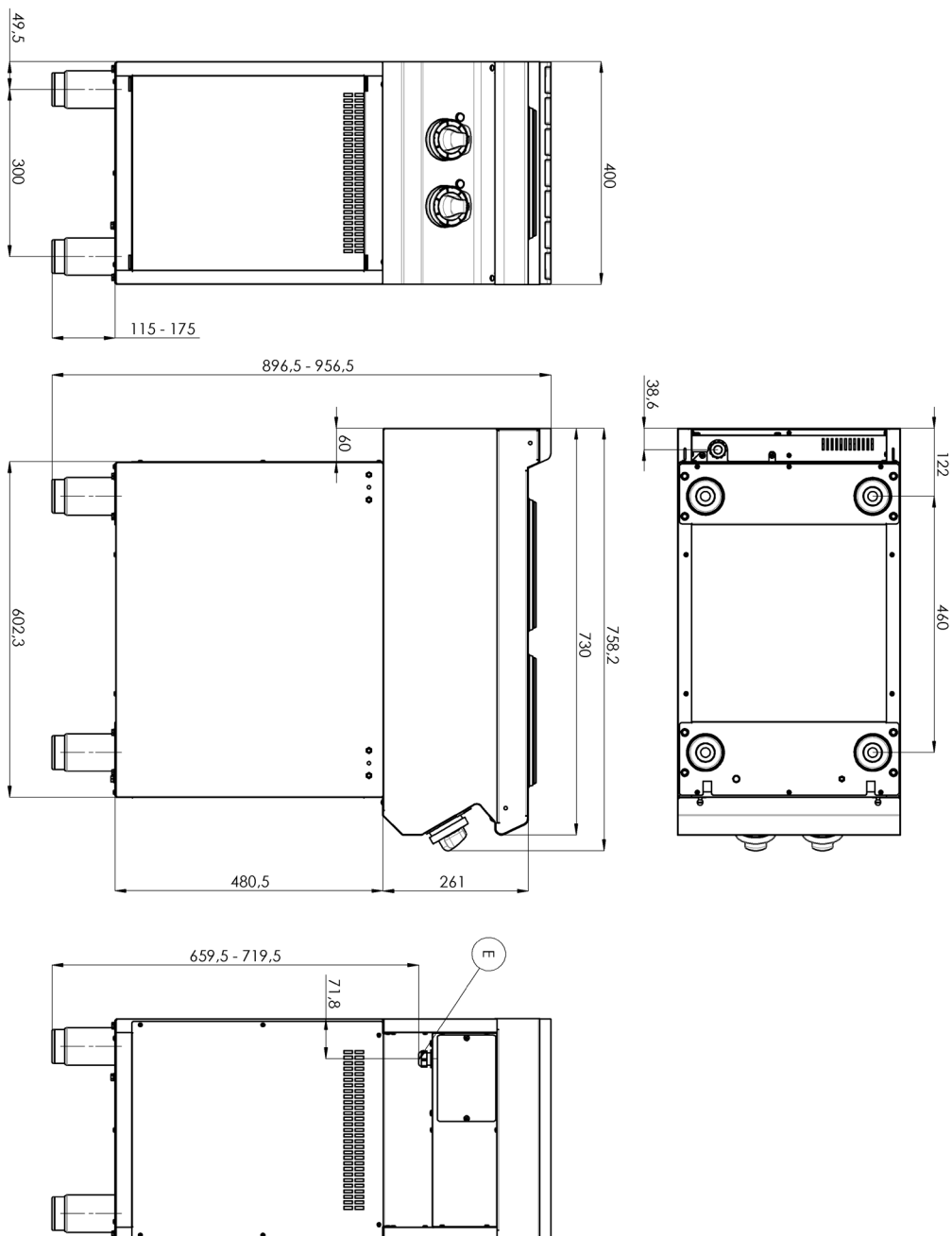


Cooking range electric on open cabinet

Model

SAP Code

00014768



Technical data sheet

Technical parameters



Cooking range electric on open cabinet

Model

SAP Code

00014768

1. SAP Code:

00014768

2. Net Width [mm]:

400

3. Net Depth [mm]:

730

4. Net Height [mm]:

900

5. Net Weight [kg]:

34.80

6. Gross Width [mm]:

440

7. Gross depth [mm]:

800

8. Gross Height [mm]:

1080

9. Gross Weight [kg]:

41.00

10. Device type:

Electric unit

11. Construction type of device:

With substructure

12. Power electric [kW]:

5.200

13. Loading:

400 V / 3N - 50 Hz

14. Protection of controls:

IP24

15. Device color:

Stainless steel

16. Material:

AISI 304 top plate and cladding

17. Indicators:

operation

18. Worktop type:

Molded - comfortable cleaning maintenance

19. Worktop material:

AISI 304

20. Worktop Thickness [mm]:

1.50

21. Number of zones:

2

22. Power consumption of the zone 1 [kW]:

2,6

23. Power consumption of the zone 2 [kW]:

2,6

24. Maximum device temperature [°C]:

400

25. Minimum device temperature [°C]:

50

26. Service accessibility:

Trough the frontal panel

27. Adjustable feet:

Yes

28. Number of burners/hot plates:

2

Technical data sheet

Technical parameters



Cooking range electric on open cabinet

Model	SAP Code	00014768
--------------	-----------------	----------

29. Type of electric cooking zones:

Oval